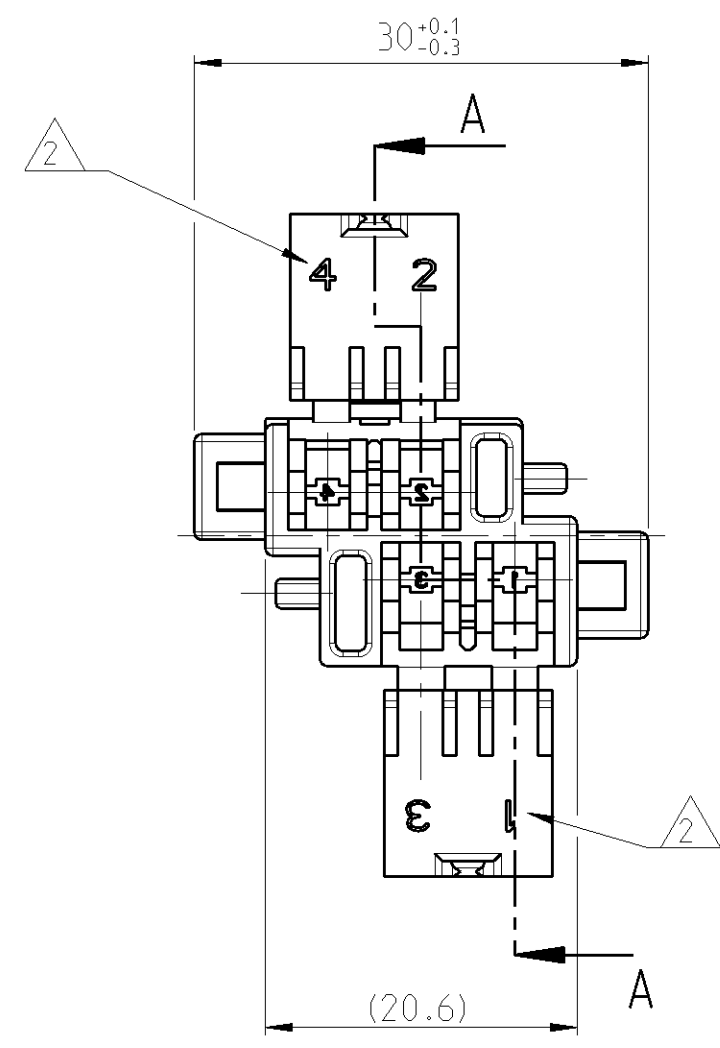
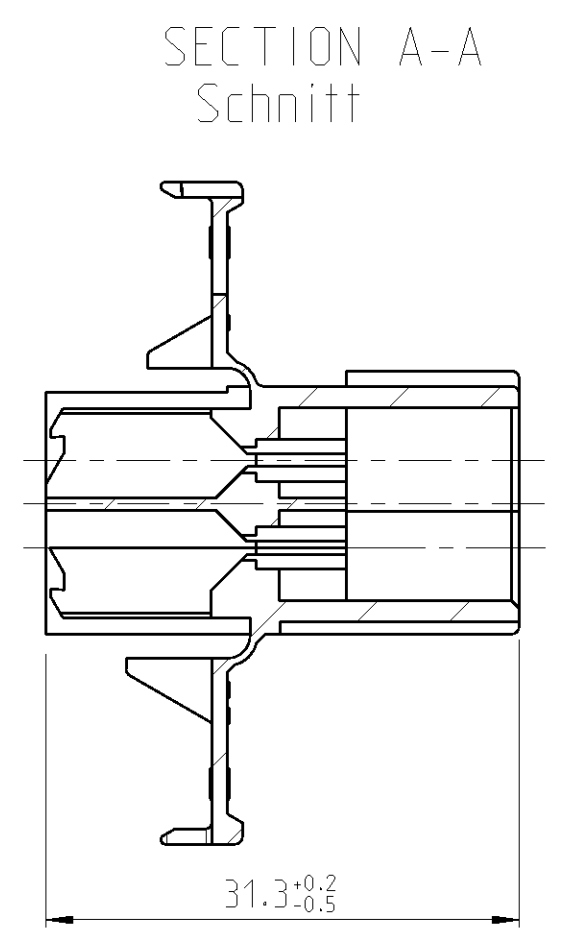
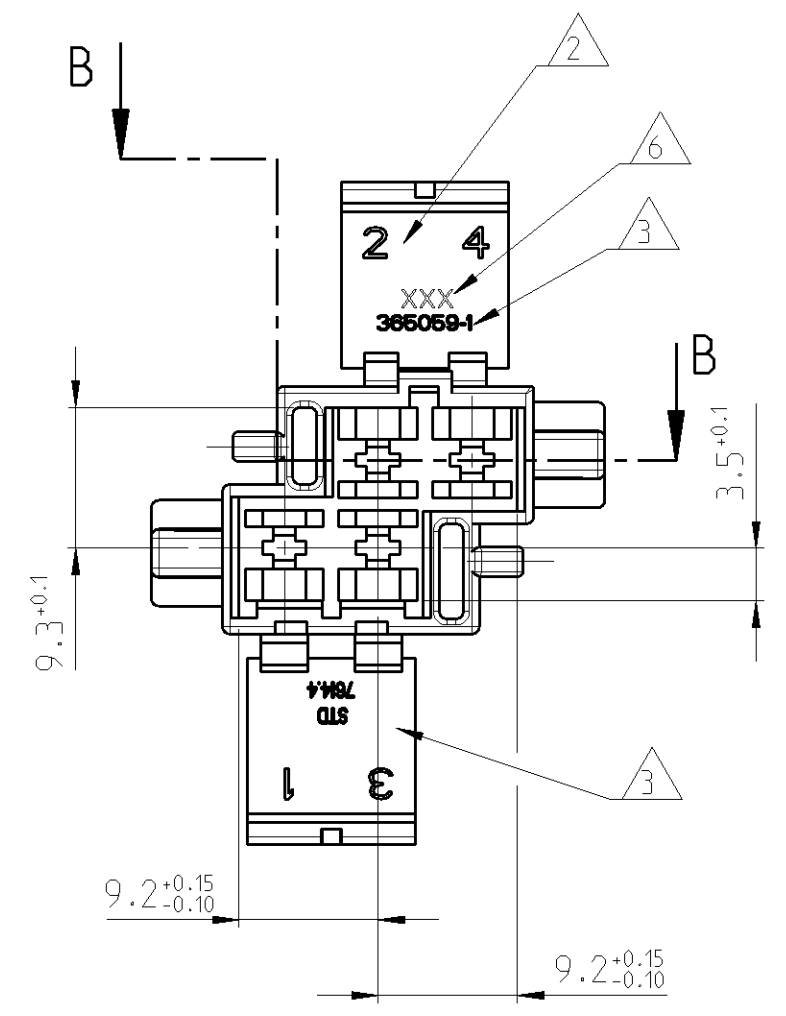
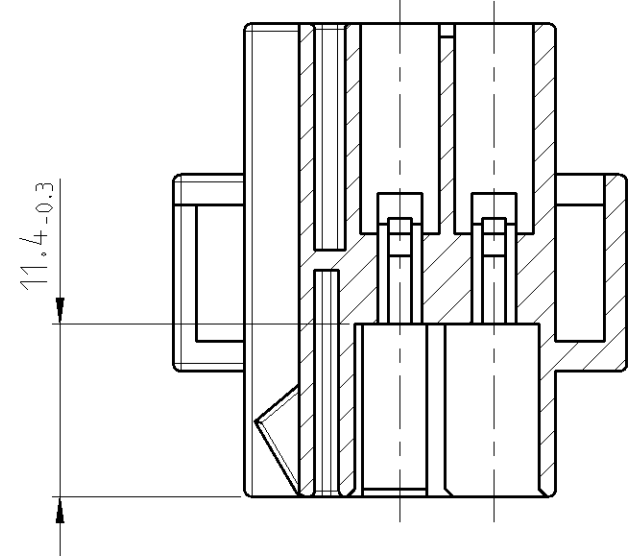


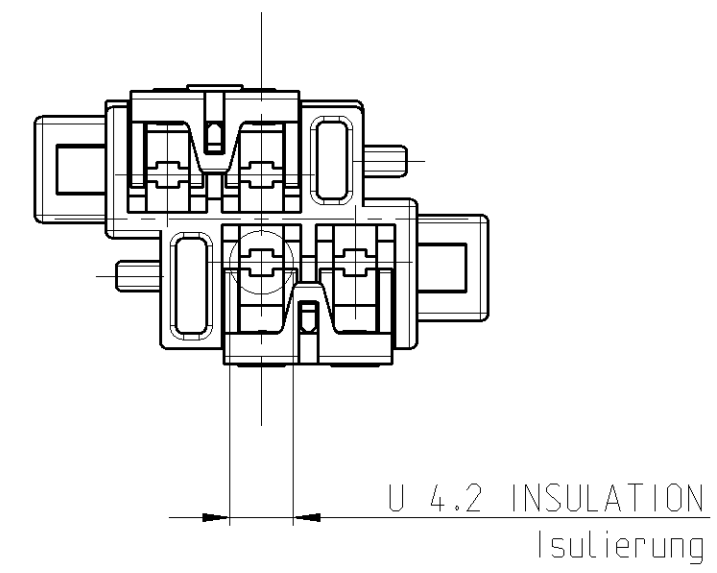
LOC		DIST		REVISIONS			
P	LTR	DESCRIPTION	DATE	DWN	APVD		
G2		Logo changed	30JAN2013	Ho.	Schin.		
G3		Revision in the titleblock adepted	01FEB2013	Ho.	Schin.		



SECTION B-B Schnitt

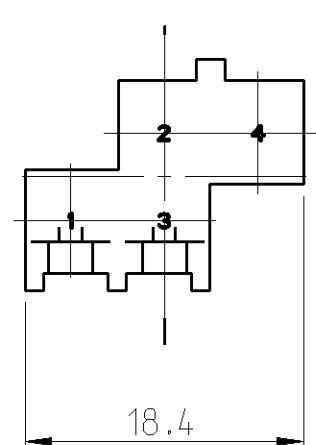


HOUSING WITH CLOSED FLAP  
 Gehaeuse mit geschlossener Klappe

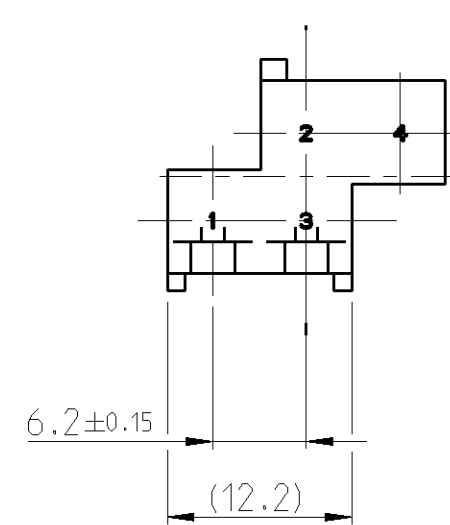


- 1 MATERIAL Y COLORES HAN DE ESTAR LIBRES DE CADMIO  
 Material und Farbbatch muss cadium frei sein
- 2 CHARACTER HEIGHT 2  
 Schrifthoehe 2
- 3 CHARACTER HEIGHT 1  
 Schrifthoehe 2
- 4 FITTING WITH 365060  
 Passend zu 365060
- 5 PARTS MUST BE AIR TIGHT PACKAGED, MOISTURE CONTENT MUST BE 2.5±1%  
 Teile muessen luftdicht verpackt sein, die Feuchte muss 2.5±1% betragen
- 6 LOGO ACC. TO TE SPEC TEC-202-36;  
 0.15 RAISED  
 Firmenlogo entsprechend TE Spec TEC-202-36;  
 0.15 erhaben

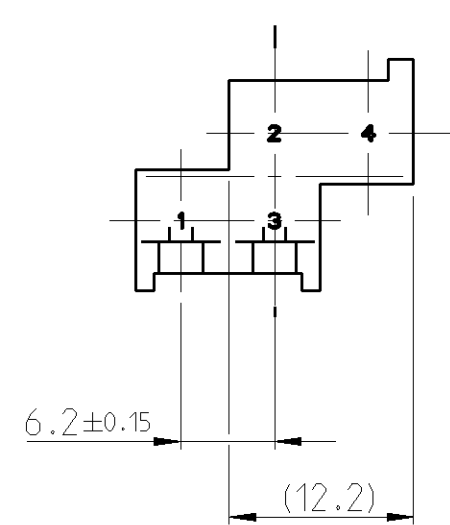
CODING 1  
 Kodierung



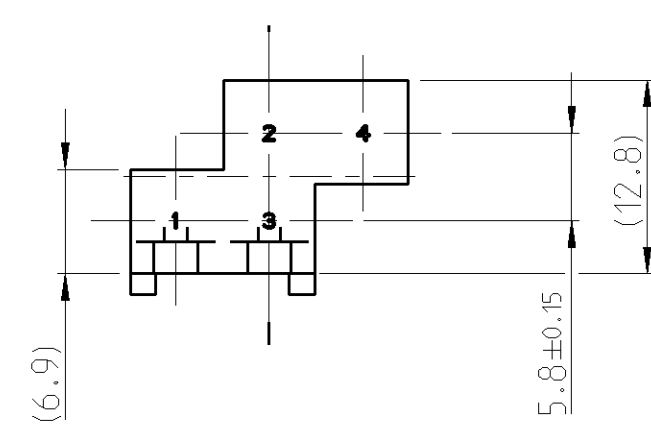
CODING 2  
 Kodierung



CODING 3  
 Kodierung



CODING 4  
 Kodierung



Code NO.	Part Number	Material	Finish Colour
CODE 4	365059-4	PA 6.6	YELLOW
CODE 3	365059-3	PA 6.6	BLACK
CODE 2	365059-2	PA 6.6	GREY
CODE 1	365059-1	PA 6.6	NATUR

THIS DRAWING IS A CONTROLLED DOCUMENT.		DWN R.ULLRICH 22NOV84	<b>STE</b> TE Connectivity	
DIMENSIONS: mm		CHK J.PASCUAL 15JUN93		
TOLERANCES UNLESS OTHERWISE SPECIFIED:		APVD L.BATILLO 15JUN93	NAME 4 POS. TAB HOUSING	
0 PLC ±	±0.2	PRODUCT SPEC	-	
1 PLC ±		APPLICATION SPEC	-	
2 PLC ±		WEIGHT	-	
3 PLC ±		Customer Drawing	-	
4 PLC ±	FINISH	SIZE A2	CAGE CODE 00779	DRAWING NO C-365059
ANGLES ±°		SCALE 2:1	SHEET 1 OF 1	REV G3